

ЕДИНИЧНО
МЕХАНИЧНО
УПЛЪТНЕНИЕ

ТИП

D9B

С ПРИСЪЕДИНИТЕЛНИ РАЗМЕРИ
ПО DIN 24 960

Конструкция с гумен маншет, неразтоварено, с централна пружина, независимо от посоката на въртене.

РАБОТНИ ПАРАМЕТРИ

Работно налягане	- P = 1,0 МПа
Работна температура	- T = 220°C
Скорост на плъзгане	- V _n = 10 m/s

КОНСТРУКТИВНИ ОСОБЕНОСТИ

1. Материали за триещите елементи:

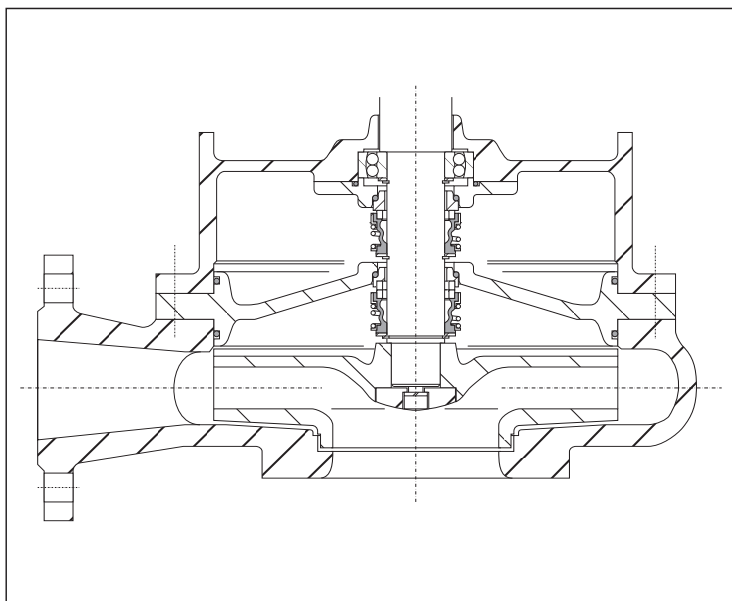
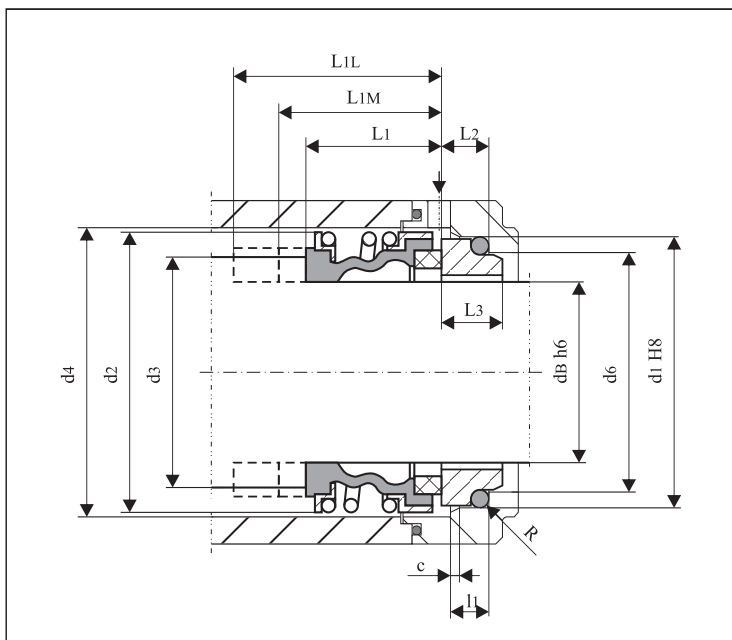
- графит;
- волфрамов карбид;
- техническа керамика;
- специални неръждаеми стомани;
- силициев карбид.

2. Материал за гумения маншет :

- NB-каучук - до t=90°C (бензин, масло);
- EP-каучук - до t=120°C (вода, пара);
- FPM(Витон) - до t=220°C (масло, агресивни разтвори).

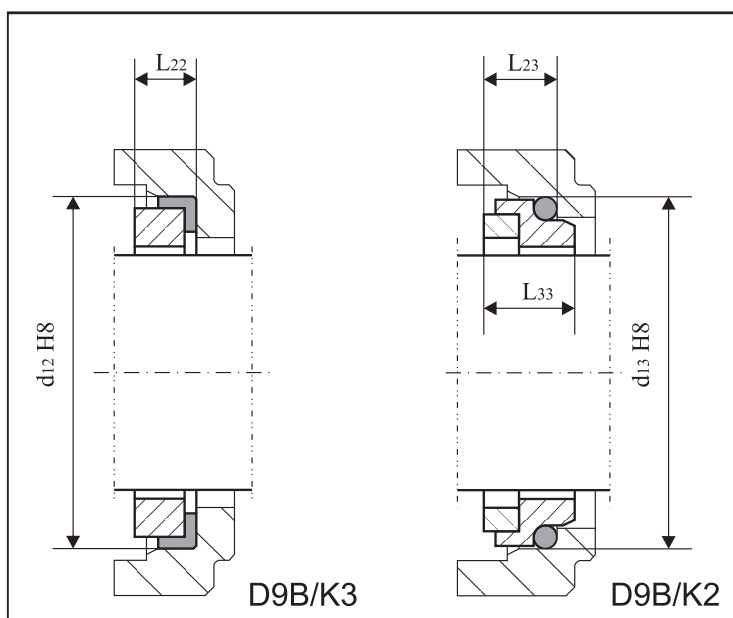
3. Всички метални детайли са изработени от неръждаема стомана.

Примерно приложение на механични уплътнения тип D9B по схема "тандем"



ОСНОВНИ РАЗМЕРИ (мм)

d _B	d ₁	d ₂	d ₃	d ₄	d ₆	L ₁	L _{1M}	L _{1L}	L ₂	L ₃	l ₁	C	R	d ₁₂	L ₂₂	d ₁₃	L ₂₃	L ₃₃
10	21	24,0	22,5	24	17	14,0	25,9	33,4	6,6	9,0	5,0	1,2	1,2	24	8,5	-	-	-
12	23	24,0	22,5	26	19	14,0	25,9	33,4	5,6	8,0	5,0	1,2	1,2	26	8,5	-	-	-
14	25	28,0	26,0	30	21	16,0	28,4	33,4	5,6	8,0	5,0	1,2	1,2	28	8,5	-	-	-
15	-	28,0	26,0	30	-	17,0	28,4	33,4	-	-	-	-	1,2	-	-	24,6	10,0	12,5
16	27	28,0	26,0	30	23	17,0	28,4	33,4	7,5	10,0	6,5	1,5	1,5	32	8,5	28,0	10,0	12,5
18	33	31,0	29,0	33	27	18,0	30,0	37,5	8,0	10,5	6,5	1,5	1,5	35	9,5	30,0	10,5	13,5
20	35	36,0	33,0	38	29	21,0	30,0	37,5	7,5	10,0	6,5	1,5	1,5	38	9,5	35,0	10,5	13,5
22	37	36,0	33,0	38	31	21,0	30,0	37,5	7,5	10,0	6,5	1,5	1,5	38	9,5	35,0	10,5	13,5
24	39	40,5	37,0	44	33	22,5	32,5	42,5	7,5	10,0	6,5	1,5	1,5	42	9,5	38,0	10,5	13,5
25	40	41,0	37,0	44	34	22,5	32,5	42,5	7,5	10,0	6,5	1,5	1,5	42	9,5	38,0	10,5	13,5
28	43	47,0	44,0	50	37	26,0	35,0	42,5	9,0	11,5	6,5	1,5	1,5	46	9,5	42,0	11,0	14,0
30	45	47,0	44,0	50	39	26,0	35,0	42,5	10,5	13,0	6,5	1,5	1,5	48	9,5	45,0	11,0	14,0
32	48	51,0	46,0	55	42	26,0	35,0	47,5	10,5	13,0	6,5	1,5	1,5	54	9,5	48,0	11,0	14,0
33	48	51,0	46,0	55	42	26,0	35,0	47,5	11,0	13,5	6,5	1,5	1,5	54	9,5	50,0	11,0	14,5
35	50	55,0	50,0	59	44	27,0	35,0	47,5	11,0	13,5	6,5	1,5	1,5	54	9,5	52,0	11,5	14,5
38	56	58,0	53,0	61	49	28,0	36,0	46,0	10,3	13,0	6,5	1,5	1,5	57	12,0	55,0	11,5	14,5
40	58	60,0	55,0	64	51	28,0	36,0	46,0	10,8	13,5	6,5	1,5	1,5	60	12,0	58,0	11,5	14,5
43	61	63,0	58,0	67	54	28,0	36,0	51,0	12,0	14,5	8,0	2,0	2,5	64	12,0	62,0	14,3	17,0
45	63	65,0	60,0	70	56	28,0	36,0	51,0	11,6	14,5	8,0	2,0	2,5	64	12,0	64,0	14,3	17,0
48	66	69,0	63,0	74	59	29,0	36,0	51,0	11,6	14,5	8,0	2,0	2,5	66	12,0	68,4	14,3	17,0
50	70	71,0	65,0	77	62	29,0	38,0	50,5	11,6	14,5	8,0	2,0	2,5	70	12,5	69,3	14,3	17,0
53	73	76,0	70,0	81	65	32,0	36,5	59,0	12,3	15,0	8,0	2,0	2,5	73	12,5	72,3	15,3	18,0
55	75	78,0	72,0	83	67	34,0	36,5	59,0	13,3	16,0	8,0	2,0	2,5	75	12,5	75,4	15,3	18,0
58	78	82,0	75,0	88	70	36,0	41,5	59,0	13,3	16,0	8,0	2,0	2,5	80	12,5	78,4	15,3	18,0
60	80	85,0	79,0	91	72	38,0	41,5	59,0	13,3	16,0	8,0	2,0	2,5	80	12,5	80,4	15,3	18,0
65	85	90,0	84,0	96	77	38,0	41,5	69,0	13,0	16,0	8,0	2,0	2,5	90	12,5	85,4	15,3	18,0
68	90	94,0	88,0	100	81	38,0	41,2	68,7	13,7	16,0	8,0	2,0	2,5	90	12,5	91,5	16,3	19,0
70	92	97,0	90,0	103	83	38,0	48,7	68,7	13,0	16,0	8,0	2,0	2,5	95	14,5	92,0	15,3	18,0
75	97	102,0	95,0	110	88	40,0	48,7	68,7	14,0	17,0	8,0	2,0	2,5	100	14,5	99,0	16,3	19,0
80	105	108,0	100,0	116	95	40,0	48,0	78,0	15,0	17,5	8,0	2,0	2,5	105	16,0	104,0	16,3	19,0
85	110	116,0	107,0	124	100	40,0	46,0	76,0	14,8	17,5	10,0	2,0	2,5	110	16,0	109,0	16,3	19,0
90	115	123,0	114,0	131	105	43,5	51,0	76,0	14,8	17,5	10,0	2,0	2,5	115	16,0	114,0	16,3	19,0
95	120	128,0	119,0	136	110	43,5	51,0	76,0	15,8	18,5	10,0	2,0	2,5	120	16,0	120,3	16,3	19,0
100	125	133,0	124,0	140	115	43,5	51,0	76,0	15,8	18,5	10,0	2,0	2,5	125	16,0	123,3	16,3	19,0



ЗАБЕЛЕЖКИ:

- Допустими монтажни отклонения на размера L₁, както следва :
 - за d_B от 10 до 50 мм +/- 0,5 мм
 - за d_B от 50 до 100 мм +/- 0,8 мм

Препоръчва се използването на контратела тип: K1, K2, K3, K4, K5, K6, K7, K8